

SIP SERIES

HD350

SIP Corded 1-line Hotel Telephone

HD350W

SIP Corded 1-line Wi-Fi Enabled Hotel Telephone

snom

User Manual

IMPORTANT SAFETY INSTRUCTIONS

When using your telephone equipment, basic safety precautions should always be followed to reduce the risk of fire, electric shock and injury, including the following:

1. This product should be installed by a qualified technician.
2. This product should only be connected to the host equipment and never directly to the network such as Public Switch Telephone Network (PSTN) or Plain Old Telephone Services (POTS).
3. Read and understand all instructions.
4. Follow all warnings and instructions marked on the product.
5. Unplug this product from the wall outlet before cleaning. Do not use liquid or aerosol cleaners. Use a damp cloth for cleaning.
6. Do not use this product near water such as near a bath tub, wash bowl, kitchen sink, laundry tub or swimming pool, or in a wet basement or shower.
7. Do not place this product on an unstable table, shelf, stand or other unstable surfaces.
8. Slots and openings in the back or bottom of the telephone base and handset are provided for ventilation. To protect them from overheating, these openings must not be blocked by placing the product on a soft surface such as a bed, sofa or rug. This product should never be placed near or over a radiator or heat register. This product should not be placed in any area where proper ventilation is not provided.
9. This product should be operated only from the type of power source indicated on the marking label. If you are not sure of the type of power supply on the premises, consult your dealer or local power company.
10. Do not allow anything to rest on the power cord. Do not install this product where the cord may be walked on.
11. Never push objects of any kind into this product through the slots in the telephone base or handset because they may touch dangerous voltage points or create a short circuit. Never spill liquid of any kind on the product.
12. To reduce the risk of electric shock, do not disassemble this product, but take it to an authorised service facility. Opening or removing parts of the telephone base or handset other than specified access doors may expose you to dangerous voltages or other risks. Incorrect reassembling can cause electric shock when the product is subsequently used.
13. Do not overload wall outlets and extension cords.
14. Unplug this product from the wall outlet and refer servicing to an authorised service facility under the following conditions:
 - When the power supply cord or plug is damaged or frayed.
 - If liquid has been spilled onto the product.
 - If the product has been exposed to rain or water.
 - If the product does not operate normally by following the operating instructions. Adjust only those controls that are covered by the operation instructions. Improper adjustment of other controls may result in damage and often requires

extensive work by an authorised technician to restore the product to normal operation.

- If the product has been dropped and the telephone base and/or handset has been damaged.
 - If the product exhibits a distinct change in performance.
15. Avoid using a telephone (other than cordless) during an electrical storm. There is a remote risk of electric shock from lightning.
 16. Do not use the telephone to report a gas leak in the vicinity of the leak. Under certain circumstances, a spark may be created when the adapter is plugged into the power outlet, or when the handset is replaced in its cradle. This is a common event associated with the closing of any electrical circuit. The user should not plug the telephone into a power outlet, and should not put a charged handset into the cradle, if the telephone is located in an environment containing concentrations of flammable or flame-supporting gases, unless there is adequate ventilation. A spark in such an environment could create a fire or explosion. Such environments might include: medical use of oxygen without adequate ventilation; industrial gases (cleaning solvents; petrol vapours; etc.); a leak of natural gas; etc.
 17. Only put the handset of your telephone next to your ear when it is in normal talk mode.
 18. The power adapters are intended to be correctly oriented in a vertical or floor mount position. The prongs are not designed to hold the plug in place if it is plugged into a ceiling, under-the-table or cabinet outlet.
 19. Use only the power cord and batteries indicated in this manual. Do not dispose of batteries in a fire. They may explode. Check with local codes for possible special disposal instructions.
 20. In wall mounting position, make sure to mount the telephone base on the wall by aligning the eyelets with the mounting studs of the wall plate. Then slide the telephone base down on both mounting studs until it locks into place. Refer to the full instructions in Installation in the user's manual.
 21. This product should be mounted at a height of less than 2 meters.
 22. Listed PoE (The product is considered not likely to require connection to an Ethernet network with outside plant routing).

   CAUTIONS

- Keep small metallic objects such as pins and staples away from the handset receiver;
- For pluggable equipment, the socket-outlet (power adapter) shall be installed near the equipment and shall be easily accessible;
- The applied nameplate is located at the bottom of the product;
- The equipment is only used for mounting at heights < 2m.

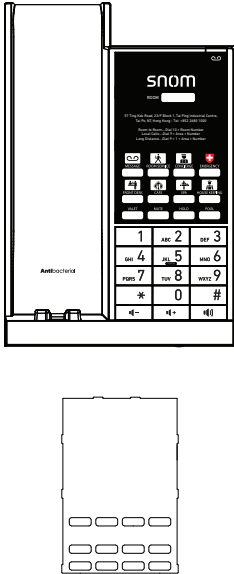
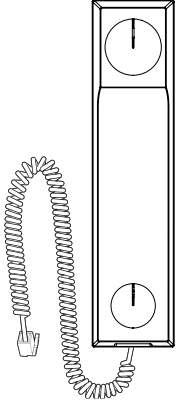
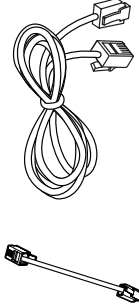
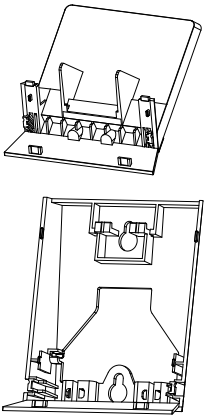
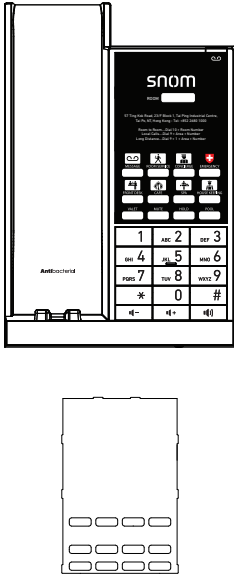
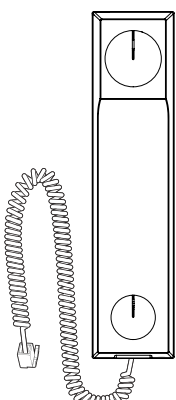

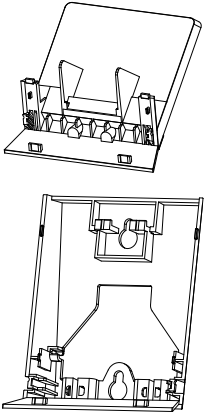
SAVE THESE INSTRUCTIONS

TABLE OF CONTENTS

Important safety instructions.....	2
Parts check list.....	5
Telephone layout	6
Installation.....	8
Set up	12
Voice Menu	13
Telephone operation	14
Appendix	16
Troubleshooting.....	16
Maintenance	19
Disclaimer and Limitation of Liability	19
European Directives	19
Declaration of Conformity	19
Disposal of batteries and product.....	20

Parts check list

Items contained in the **corded telephone** package:

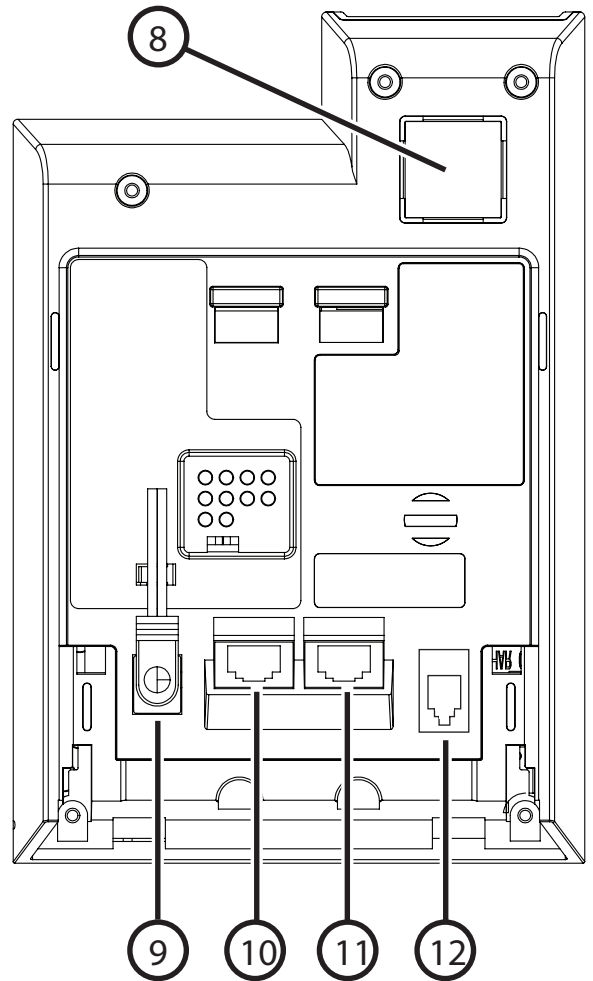
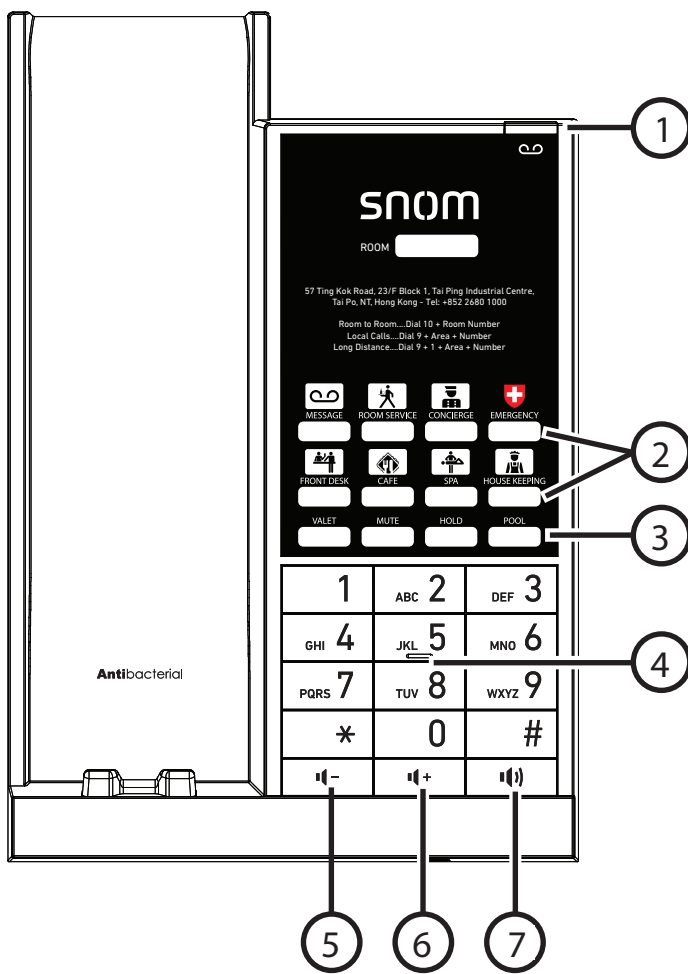
MODEL NAME	MODEL NUMBER	PARTS INCLUDED			
		TELEPHONE BASE WITH OVERLAY	CORDED HANDSET	ETHERNET CABLE SHORT ETHERNET CABLE TELEPHONE BASE POWER ADAPTER	BASE STAND MOUNTING BRACKET
SIP Coded 1-line Hotel Telephone	HD350				
SIP Coded 1-line Wi-Fi Enabled Hotel Telephone	HD350W				

Telephone layout

SIP Corded 1-line Hotel Telephone - HD350

SIP Corded 1-line Wi-Fi Enabled Hotel Telephone - HD350W

TELEPHONE BASE



1	Message waiting LED
2	Speed dial keys
3	MESSAGE key
	MUTE key
	HOLD key
	EMERGENCY key
4	Numeric dial keys
5	- VOLUME - key
6	+ VOLUME + key
7	SPEAKER key

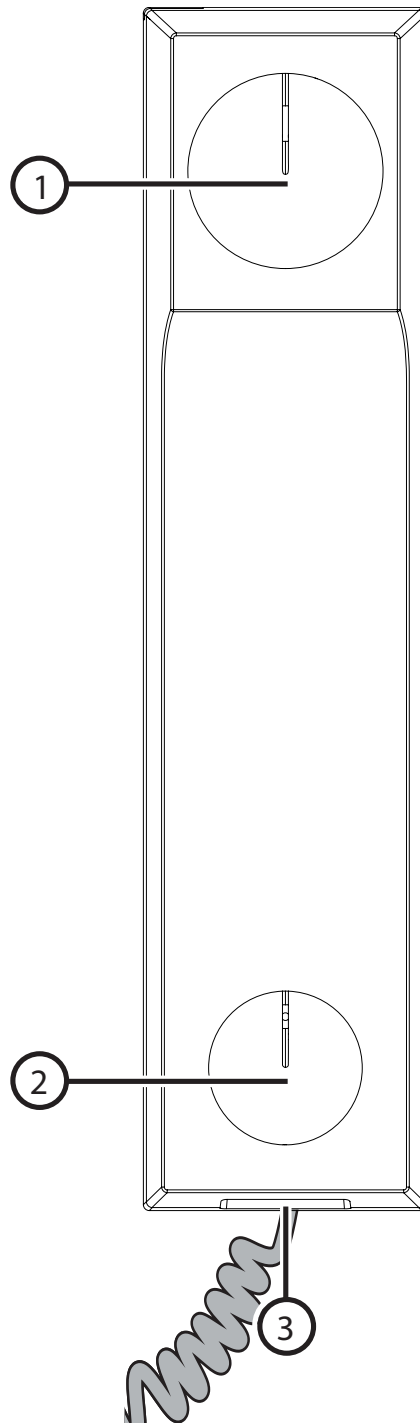
8	Speakerphone
9	Power adapter input
10	NET ethernet port
11	PC ethernet port
12	Handset cord jack

Telephone layout

SIP Corded 1-line Hotel Telephone - HD350

SIP Corded 1-line Wi-Fi Enabled Hotel Telephone - HD350W

HANDSET



1	Earpiece
2	Microphone
3	Handset cord jack (in the handset's compartment)

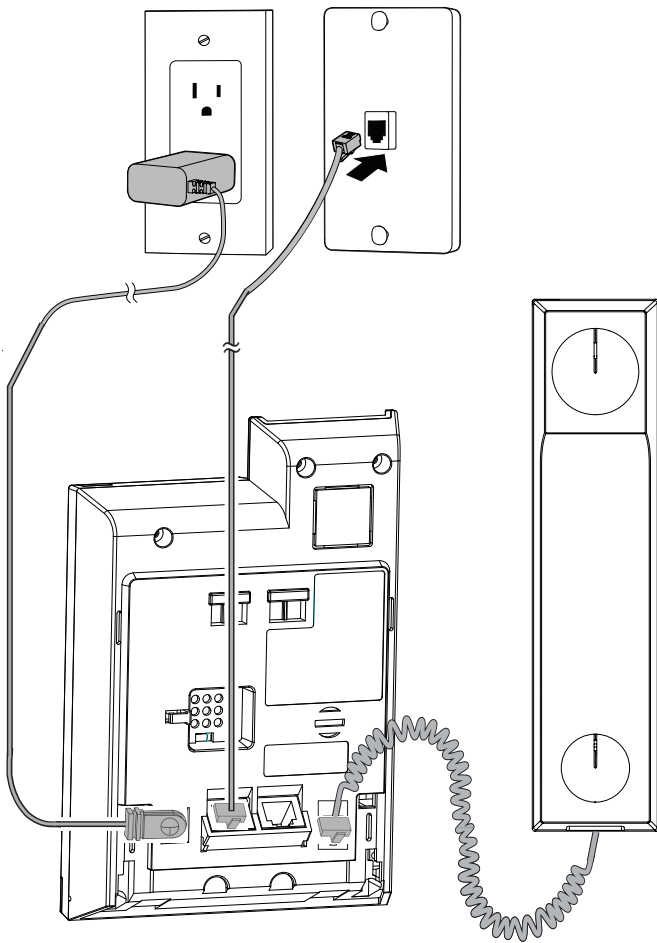
Installation



SIP Corded 1-line Hotel Telephone - HD350

SIP Corded 1-line Wi-Fi Enabled Hotel Telephone - HD350W

TELEPHONE BASE INSTALLATION

1. Connect both the ethernet cable and coiled handset cord to the telephone base and route them along the wire ducts accordingly. Install the telephone base as shown below.



2. If you are connecting a power adapter, make sure it is securely plugged into an outlet not controlled by a wall switch, and the ethernet cable is plugged into the network wall jack.
 - NOTE: Power adapter is not required for Power over Ethernet (PoE).
3. Press  on the telephone base. Listen for a dial tone, and then press  again to hang up.

NOTE

- The dial tone will not be played if the SIP account used by this telephone cannot be registered.
- The power adapter is sold separately.
- Use only the power adapter described in "Technical specifications" on page 21.

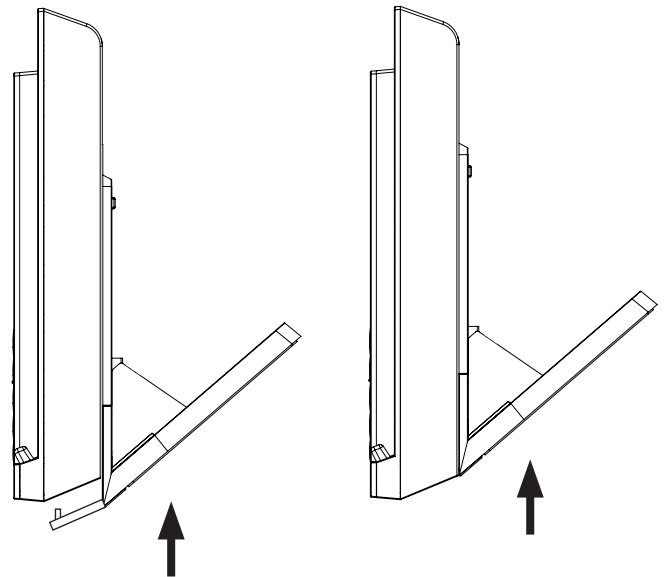
CAUTIONS

Use only the supplied ethernet cables. The supplied ethernet cables are not designed for use in any other IT devices. Misusing them on your other IT devices shall be prohibited. To order a replacement, contact authorized service personnel, your seller, or Snom.

INSTALLATION OPTION - DESKTOP POSITION

TO MOUNT THE TELEPHONE BASE ON THE BASE STAND

1. Align the grooves of the base stand with the telephone base.
2. Slide the base stand up to secure it.



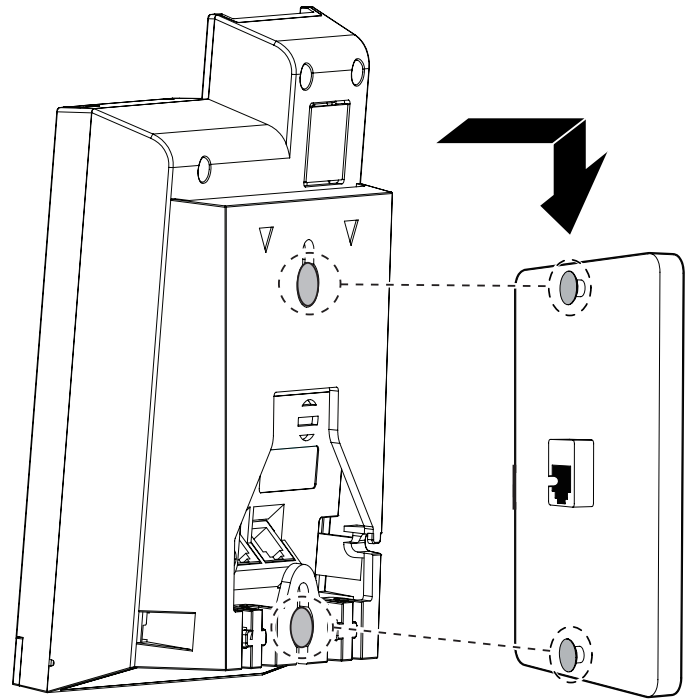
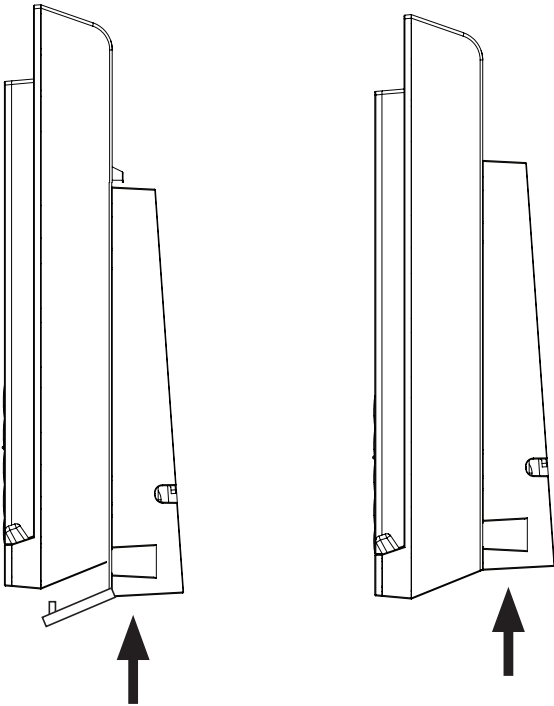
TO UNMOUNT THE BASE STAND

Simply slide the base stand down, and lift it from the telephone base.

INSTALLATION OPTION - CONVERTING FROM DESKTOP TO WALL MOUNT POSITION

TO MOUNT THE TELEPHONE BASE ON THE WALL

1. Unmount the base stand from the telephone base. Disconnect all cords and cables from the telephone base. Put the cordless handset aside.
2. Turn the telephone base over with the bottom side facing up.
3. Align the grooves with the wall mount bracket.
4. Slide the wall mount bracket up.



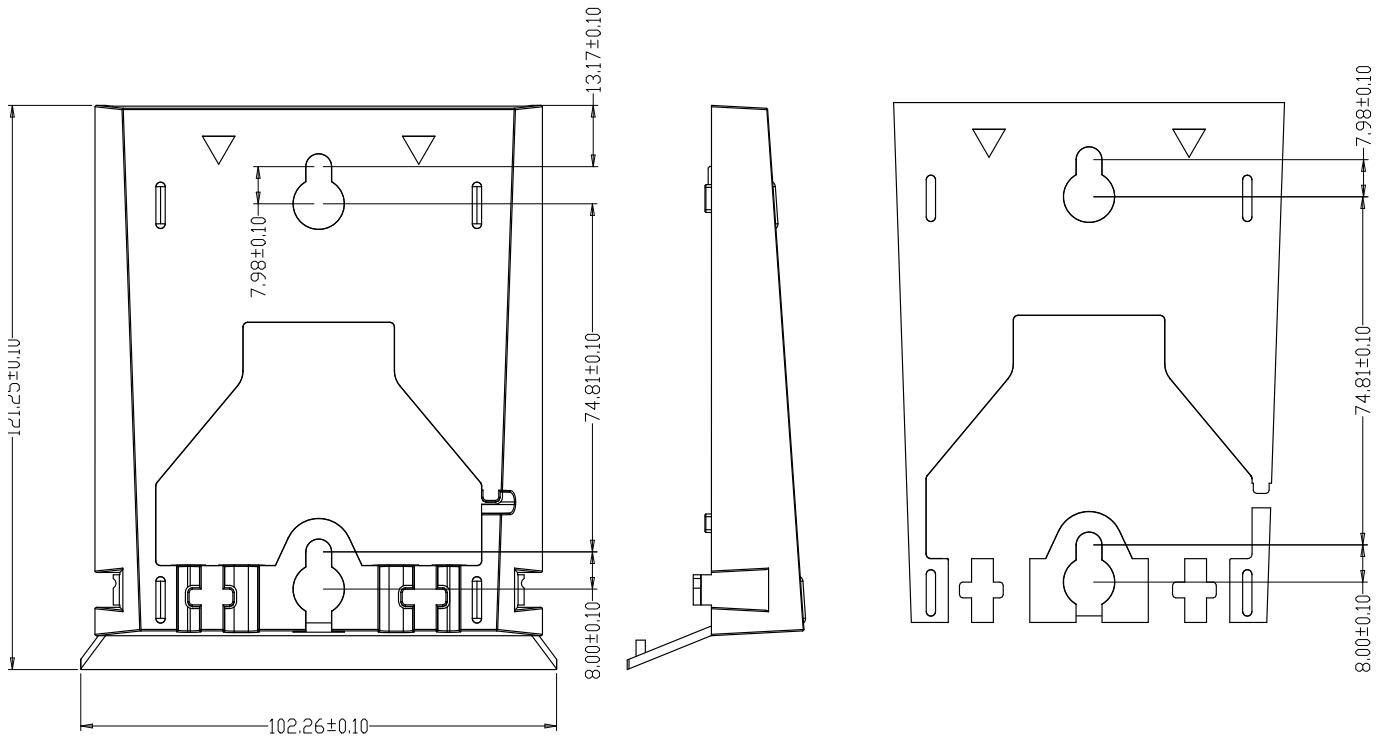
8. Place the handset on the telephone base cradle.

TO REMOVE THE WALL MOUNT BRACKET FROM THE TELEPHONE BASE

5. Connect the telephone as described in "Telephone base installation" on page 8, but use the short ethernet cable.
6. Route the short ethernet cable, coiled handset cord, and optional power adapter cable along the wire ducts accordingly. These cables and cords stick out from the hole in the wall mount bracket.
7. Mount the telephone base on the wall by positioning the eyelets on the telephone base and the mounting bracket against the mounting studs. Then slide the telephone base down on both mounting studs until it locks into place.

1. Slide the telephone base up to remove it from the mounting studs on the wall.
2. Disconnect all cords and cables from the telephone base.
3. Slide the wall mount bracket down and lift it from the telephone base.

WALL MOUNT BRACKET DIMENSIONS



Unit: mm

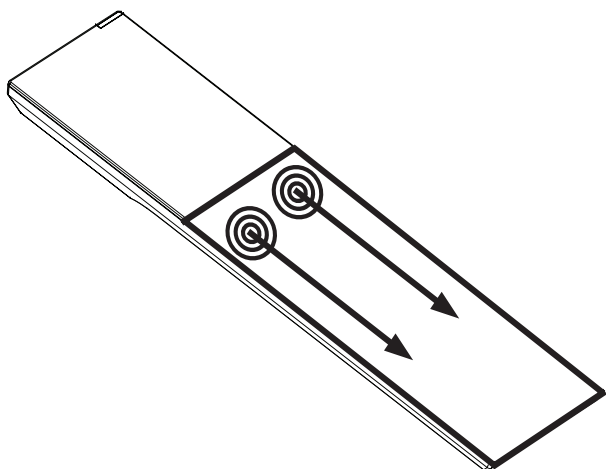
Installation

SIP Corded 1-line Hotel Telephone - HD350

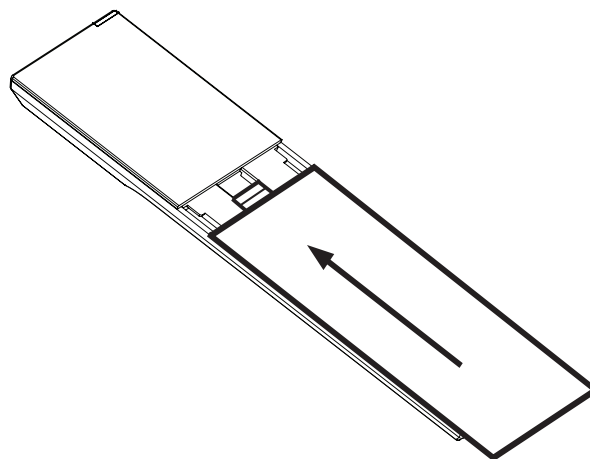
SIP Corded 1-line Wi-Fi Enabled Hotel Telephone - HD350W

REPLACING THE COILED HANDSET CORD

1. Hold the handset.
2. Press both thumbs down on the edge of the handset cover near the back of the earpiece, and slide the handset cover downwards.



3. Lift the handset cover off the handset.
4. Unplug the coiled handset cord from the handset cord jack.
5. Plug another coiled handset cord into the handset cord jack.
6. Align all the tabs on the handset cover against the corresponding grooves on the handset, then slide the handset cover closed.



INSTALLATION NOTES

⚠ CAUTION! Please be careful of sharp edges of base stand that can cause harm during the installation process.

Avoid placing the phone too close to:

- Communication devices such as television sets, DVD players, or other cordless telephones
- Excessive heat sources
- Noise sources such as a window with traffic outside, motors, microwave ovens, refrigerators, or fluorescent lighting
- Excessive dust sources such as a workshop or garage
- Excessive moisture
- Extremely low temperature
- Mechanical vibration or shock such as on top of a washing machine or work bench

Set up

SIP Corded 1-line Hotel Telephone - HD350

SIP Corded 1-line Wi-Fi Enabled Hotel Telephone - HD350W

Default settings are indicated by asterisks (*).

SETTING	OPTIONS	ADJUSTABLE BY
Handset earpiece volume	1, 2, 3, 4, 5, 6*, 7, 8	User and administrator
Speakerphone volume	1, 2, 3, 4, 5, 6*, 7, 8	User and administrator
Ringer tone	Tone 1*, Tone 2, Tone 3	Administrator only

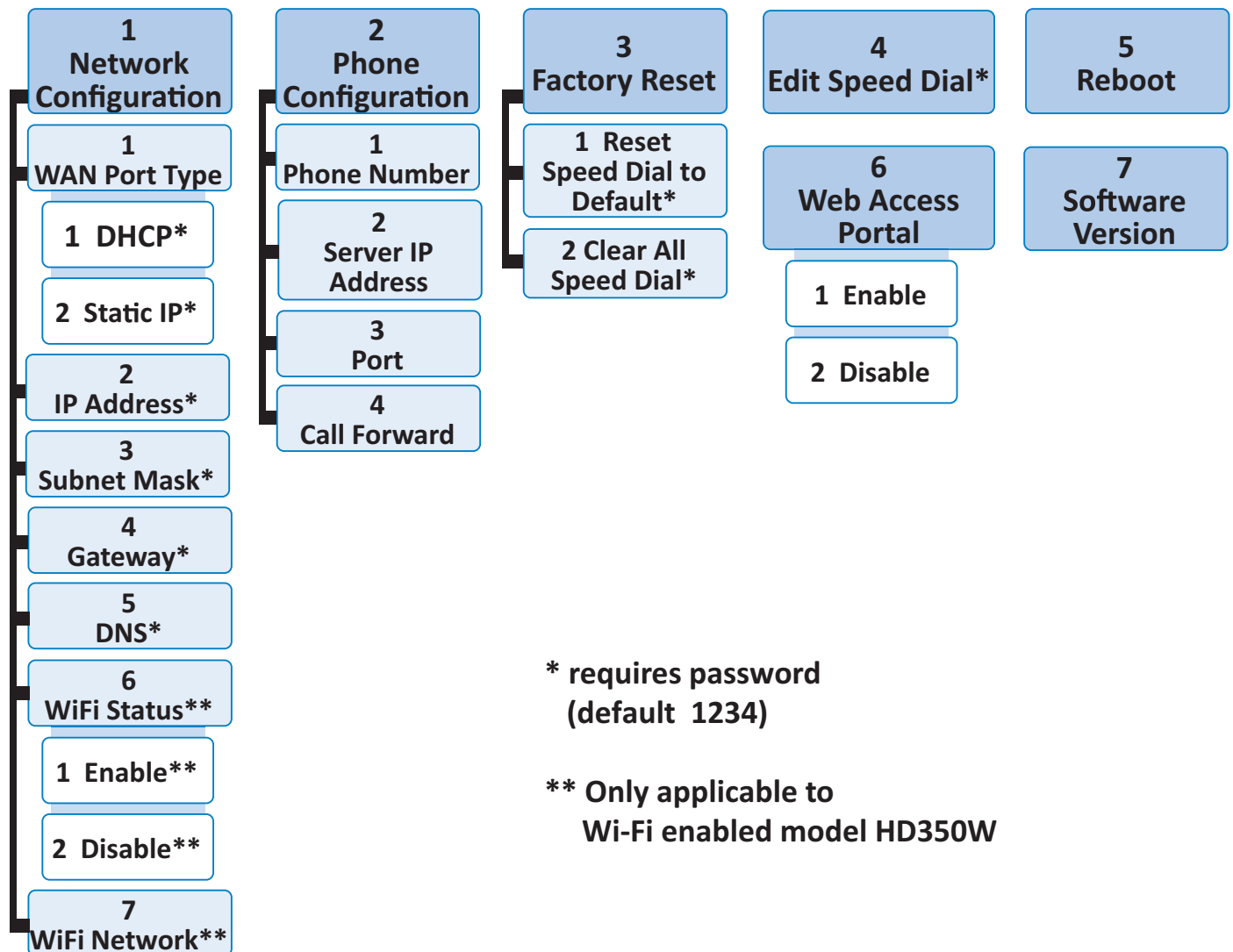
All telephone settings are programmed through the administrative web portal. Please refer to the SIP Phone Configuration Guide for details.

Voice Menu

The Voice menu enables you to use the handset to query and change telephone settings.

To access the Voice Menu:

1. When the telephone is idle, lift the corded handset from the telephone base.
2. Press this key sequence on the handset: * * * *.
A digitized voice on the handset will announce Voice Menu options.
3. Press the number key on the handset to select the desired menu option, or enter information. A list of menu options is shown in the diagram below
For example, to find out the IP address of the telephone, press **1** for Network Configuration, then press **2** for IP Address.
4. When you are finished with the Voice menu, place the handset in the cradle.
NOTE: if you changed any network settings, your telephone will automatically reboot.
This will enable your new settings to take effect.



Telephone operation

SIP Corded 1-line Hotel Telephone - HD350

SIP Corded 1-line Wi-Fi Enabled Hotel Telephone - HD350W

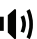
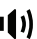
RECEIVE A CALL

When there is an incoming call, the telephone rings and the message waiting LED flashes.

TO ANSWER A CALL:

Press  or lift the corded handset from the telephone base to answer. The  key illuminates when in speakerphone mode.





PLACE A CALL

Press  or lift the corded handset from the telephone base. Listen for a dial tone and then dial the desired number. The  key illuminates when in speakerphone mode.

END A CALL

Place the corded handset on the telephone base or press  if you are in speakerphone mode.



SPEAKERPHONE

1. During a call, press  to switch a call between the corded handset earpiece and the speakerphone.
The  key illuminates when in use.
2. In idle mode, press  to activate the speakerphone mode. The  key illuminates when in speakerphone mode.

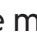
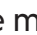
VOLUME

Listening volume can be adjusted from the corded handset and ringer volume can be adjusted from the telephone base.

TO ADJUST THE LISTENING VOLUME:

During a call, press  + /  - to adjust the listening volume. The next call returns to the default listening volume.

TO ADJUST THE RINGER VOLUME:

In idle mode, press  + /  - to adjust the ringer volume.

MESSAGE WAITING INDICATOR

When a voice message is received, the message waiting LED on the telephone base flashes.

PLAY MESSAGES

Press **MESSAGE** /  in idle mode to play messages.

MUTE

MUTE THE MICROPHONE

1. During a call, press **MUTE**.

- The **MUTE** key illuminates when the mute function is turned on. You can hear the party on the other end, but they cannot hear you.
2. Press **MUTE** again to resume the conversation.
 - The light on the **MUTE** key turns off.

HOLD

TO PLACE A CALL ON HOLD:

During a call, press the **HOLD** key.

TO TAKE THE CALL OFF HOLD:

Press **HOLD**.

Appendix


Troubleshooting

If you have difficulty with the telephones, please try the suggestions below.

In case of malfunction, contact authorized service personnel, your seller, or Snom.

FOR CORDED TELEPHONE

QUESTION	SUGGESTIONS
1. The telephone does not work at all.	<ul style="list-style-type: none">• Make sure a Cat-5 network cable is plugged into the LAN port of the telephone base and the network wall jack with Power over Ethernet (PoE).• Unplug the Cat-5 network cable from the network wall jack. Wait for approximately 15 seconds, then plug it back in.• Disconnect the telephone base from the network wall jack and connect a different working telephone. If the other telephone does not work, the problem is probably in the wiring or network server.
2. There is no dial tone.	<ul style="list-style-type: none">• Try all the above suggestions.• The Cat-5 network cable may be defective. Install a new Cat-5 network cable.• Make sure your network is providing Power over Ethernet (PoE).• Disconnect the telephone base from the network wall jack and connect a different working telephone. If there is no dial tone on this telephone either, the problem is in your wiring or network server.• Make sure the initialization and system registration process completes. The speakerphone key blinks twice every second if there are errors with the initialization and system registration process.
3. I hear other calls when using the telephone.	<ul style="list-style-type: none">• Disconnect the telephone base from the network wall jack and connect a different working telephone. Check your server settings. If calls are still not clear, the problem is probably in the wiring or network server. Contact your telephone service provider (charges may apply).
4. The Speed Dial key does not work at all.	<ul style="list-style-type: none">• The Speed Dial key may not be properly programmed.

QUESTION	SUGGESTIONS
<p>5. I cannot dial out.</p>	<ul style="list-style-type: none"> • Try all the above suggestions. • A prefix may be required for dialling some internal or external calls • Make sure there is a dial tone before dialling. • Check your server settings. If other telephones in your hotel are having the same problem, the problem is in the wiring or network server. Contact your telephone service provider (charges may apply).
<p>6. The telephone cannot register to the network server.</p>	<ul style="list-style-type: none"> • Make sure your network is providing Power over Ethernet (PoE). • Make sure the initialization and system registration process completes. • If there is an error during the initialization and system registration process, the  key flashes twice every second. Disconnect the Cat-5 network cable from the network wall jack and connect it back into the network wall jack with Power over Ethernet (PoE) to start the initialization and system registration process again.
<p>7. The telephone does not ring when there is an incoming call.</p>	<ul style="list-style-type: none"> • Make sure the Cat-5 network cable is plugged into the LAN port of the telephone base and the network wall jack with Power over Ethernet (PoE). • Check your server or telephone administrative settings. • If other telephones in your hotel are having the same problem, the problem is in the wiring or network server. Contact your telephone service provider (charges may apply). • Other electronic products such as HAM radios and other DECT telephones can cause interference with your cordless telephone. Try installing your telephone as far away as possible from these types of electronic devices. • The Cat-5 network cable may be defective. Install a new Cat-5 network cable.

8. There is interference during a telephone conversation.

- If your telephone is plugged in with a modem or a surge protector, plug the telephone (or modem/surge protector) into a different location. If this doesn't solve the problem, relocate your telephone or modem farther apart from each other, or use a different surge protector.
 - Disconnect the telephone base from the telephone wall jack. Plug in a different telephone. If calls are still not clear, the problem is probably in the wiring or telephone service. Contact your telephone service provider (charges may apply).
 - If other telephones in your hotel are having the same problem, the problem is in the wiring or telephone service. Contact your telephone service provider (charges may apply).
-

Maintenance

TAKING CARE OF YOUR TELEPHONE

Your telephone contains sophisticated electronic parts, so it must be treated with care.

AVOID ROUGH TREATMENT

Place the handset down gently. Save the original packing materials to protect your telephone if you ever need to ship it.

AVOID WATER

Your telephone can be damaged if it gets wet. Do not use the handset outdoors in the rain, or handle it with wet hands. Do not install the telephone base near a sink, bathtub or shower.

ELECTRICAL STORMS

Electrical storms can sometimes cause power surges harmful to electronic equipment. For your own safety, take caution when using electrical appliances during storms.

CLEANING YOUR TELEPHONE

Your telephone has a durable plastic casing that should retain its luster for many years. Clean it only with a soft cloth slightly dampened with water or mild soap. Do not use excess water or cleaning solvents of any kind.

Remember that electrical appliances can cause serious injury if used when you are wet or standing in the water. If the telephone base should fall into the water, **DO NOT RETRIEVE IT UNTIL YOU UNPLUG THE NETWORK CABLE FROM THE WALL.** Then remove the telephone by the unplugged cords.

Disclaimer and Limitation of Liability

Snom Technology GmbH and its suppliers assume no responsibility for any damage or loss resulting from the use of this user's manual. Snom Technology GmbH and its suppliers assume no responsibility for any loss or claims by third parties that may arise through the use of this product. Snom Technology GmbH and its suppliers assume no responsibility for any damage or loss caused by deletion of data as a result of malfunction, or repairs. Be sure to make backup copies of important data on other media to protect against data loss.

REMEMBER THAT ELECTRICAL APPLIANCES CAN CAUSE SERIOUS INJURY IF USED WHEN YOU ARE WET OR STANDING IN WATER. IF THE TELEPHONE BASE SHOULD FALL INTO WATER, DO NOT RETRIEVE IT UNTIL YOU UNPLUG THE POWER CORD AND/OR ETHERNET CABLE FROM THE WALL. THEN REMOVE THE TELEPHONE BY THE UNPLUGGED CORDS.

European Directives

This equipment is compliant with 2014/53/EU (RED) and 2011/65/EU (ROHS).

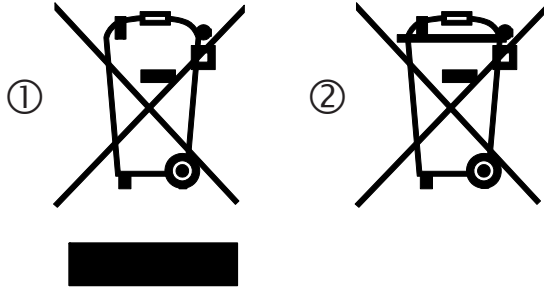
Declaration of Conformity

The declaration of conformity can be downloaded at www.snom.com/conformity.



Disposal of batteries and product

These symbols (①, ②) on the products, packaging, and/or accompanying documents mean that used electrical and electronic products and batteries must not be mixed with general household waste.



For proper treatment, recovery and recycling of old products and batteries, please take them to applicable collection points in accordance with your national legislation.

By disposing of them correctly, you will help to save valuable resources and prevent any potential negative effects on human health and the environment.

For more information about collection and recycling, please contact your local municipality. Penalties may be applicable for incorrect disposal of this waste, in accordance with national legislation.

PRODUCT DISPOSAL INSTRUCTIONS FOR BUSINESS USERS

If you wish to discard electrical and electronic equipment, please contact your dealer or supplier for further information.

INFORMATION ON DISPOSAL IN OTHER COUNTRIES OUTSIDE THE EUROPEAN UNION

These symbols (①, ②) are only valid in the European Union. If you wish to discard these items, please contact your local authorities or dealer and ask for the correct method of disposal.

NOTE FOR THE BATTERY SYMBOL

This symbol (②) might be used in combination with a chemical symbol. In this case it complies with the requirement set by the Directive for the chemical involved.



snom

Specifications are subject to change without notice.
Copyright © 2023
Snom Technology GmbH
All rights reserved. 11/23.
HD350_HD350W_UM_V1_CEC_EU-UK_14NOV2023